

DIM-14

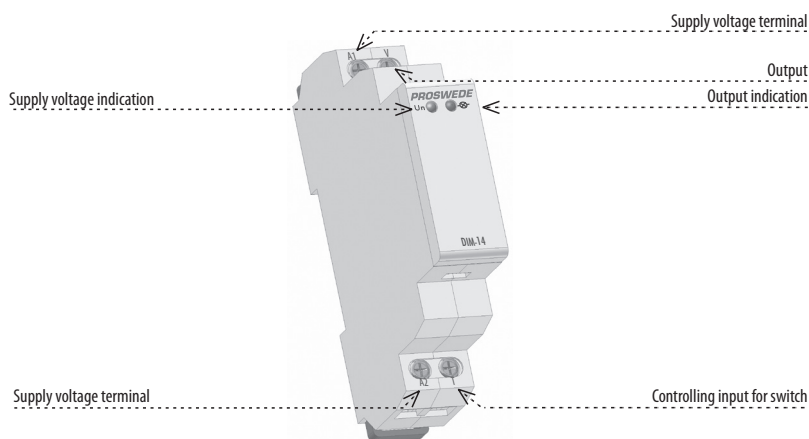


Controlled dimmer

Warning!

Device is constructed for connection in 1-phase main AC and must be installed according to norms valid in the state of application. Connection according to the details in this direction. Installation, connection, setting and servicing should be installed by qualified electrician staff only, who has learnt these instruction and functions of the device. This device contains protection against overvoltage peaks and disturbances in supply. For correct function of the protection of this device there must be suitable protections of higher degree (A,B,C) installed in front of them. According to standards elimination of disturbances must be ensured. Before installation the main switch must be in position "OFF" and the device should be de-energized. Don't install the device to sources of excessive electro-magnetic interference. By correct installation ensure ideal air circulation so in case of permanent operation and higher ambient temperature the maximal operating temperature of the device is not exceeded. For installation and setting use screw-driver cca 2 mm. The device is fully-electronic - installation should be carried out according to this fact. Non-problematic function depends also on the way of transportation, storing and handling. In case of any signs of destruction, deformation, non-function or missing part, don't install and claim at your seller. After the product exceeds lifetime, it should be removed and placed in protected dump. Electronic transformers exceeding 105VA could cause problems when dimmed. Stability of the transformer is not guaranteed, flickering could occur. Signals superposed on the mains grid (power modem) can interfere with the operation of the dimmer. This interference only occurs if this signal is send via the mains grid.

Description

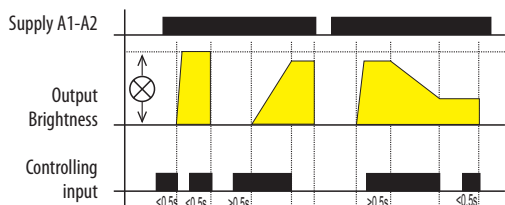


Technical parameters	DIM-14
Supply terminals:	A1-A2
Supply voltage:	AC 230 V / 50 Hz
Consumption:	1.3 W
Supply voltage tolerance:	-15 %; +10 %
Power dissipation:	6 VA
Supply indication:	green LED
Controlling	
Control terminals:	A1-T
Control voltage:	AC 230 V
Power control input:	AC 0.3-0.6 VA
Impulse length:	min. 80 ms / max. unlimited
Glow-lamps:	Yes, 5 pcs (1 pcs - 1 mA)
Output	
Contactless:	2 x MOSFET
Rated current:	2 A
Resistance load:	500 VA*
Inductive load:	500 VA*
Capacitive load:	500 VA*
Output state indication:	red LED
Other information	
Operating temperature:	-20...+35°C
Storage temperature:	-20...+60°C
Operating position:	any
Mounting:	DIN rail EN 60715
Protection degree:	IP40 from front panel / IP10 terminals
Overvoltage category:	III.
Pollution degree:	2
Max. cable size (mm ²):	max. 2x2.5, max. 1x4 s dutinkou/with sleeve max. 1x2.5, max. 2x1.5
Dimensions:	90x17.6x64 mm
Weight:	58 g
Standards:	EN 60669-2-1; EN 61010-1

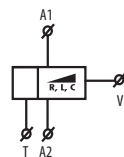
Characteristic

- designated for dimming of el. bulbs and halogen lights with wound or electronic transformer
- for switching and dimming of lights, control inputs for a button
- short pressing switches ON/OFF, longer pressing (> 0.5 s) enables gradual light intensity setting
- when switched off, brightness level is stored in a memory and when switched on again this last brightness level is restored
- supply voltage: AC 230 V
- output without contacts: 2x MOSFET
- LED output indication (with any level of brightness) possibility of parallel connection of control buttons
- resistive, inductive or capacitive load, up to 300 VA, for a short term up to 500 VA
- 1-MODULE, DIN rail mounting
- electronic overvoltage protection
- protection against temperature overrun inside a device – output off

Function



Symbol



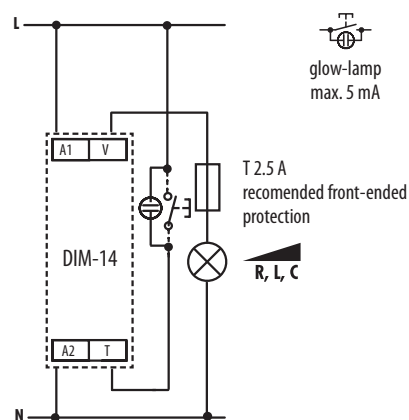
Notes

* When load is above 300 VA it is necessary to ensure sufficient cooling.

Warning: it is not allowed to connect together loads of inductive and capacitive type in the same time.

Recommendation for mounting: leave a gap of min. 0.5 module (approx. 9 mm) on side of the device to ensure better cooling of the device.

Connection



	lamp, halogen light	low-voltage el. bulbs 12-24V wound trans.	low-voltage el. bulbs 12-24V el. transformers	LED bulbs	saving fluorescent lamps	switching management	
Load	 HAL. 230 V R	 L	 C	 230V AC dimnable	 dimnable	 incline edge	 descending edge
DIM-14	●	●	●	x	x	●	●

Name of the Document / Název dokumentace: Manual		Number of Documentation / Číslo dokumentu: 3595-02-001	
Name of the Product / Název výrobku: DIM-14	Supply voltage / Napájecí napětí: dle jednotlivých výrobků		
Semifi-finished product / Polotovar: x	Designed by / Zpracoval:	dokument podléhá schvalování v IS ABRA	Rev.:
Folder Location/Umístění souboru: S:\Elko_zdrojova_data_NAVODY\FIRMY\PROSWEDE\zdroje\DIM-14_EN.indd	Čemboran		3